

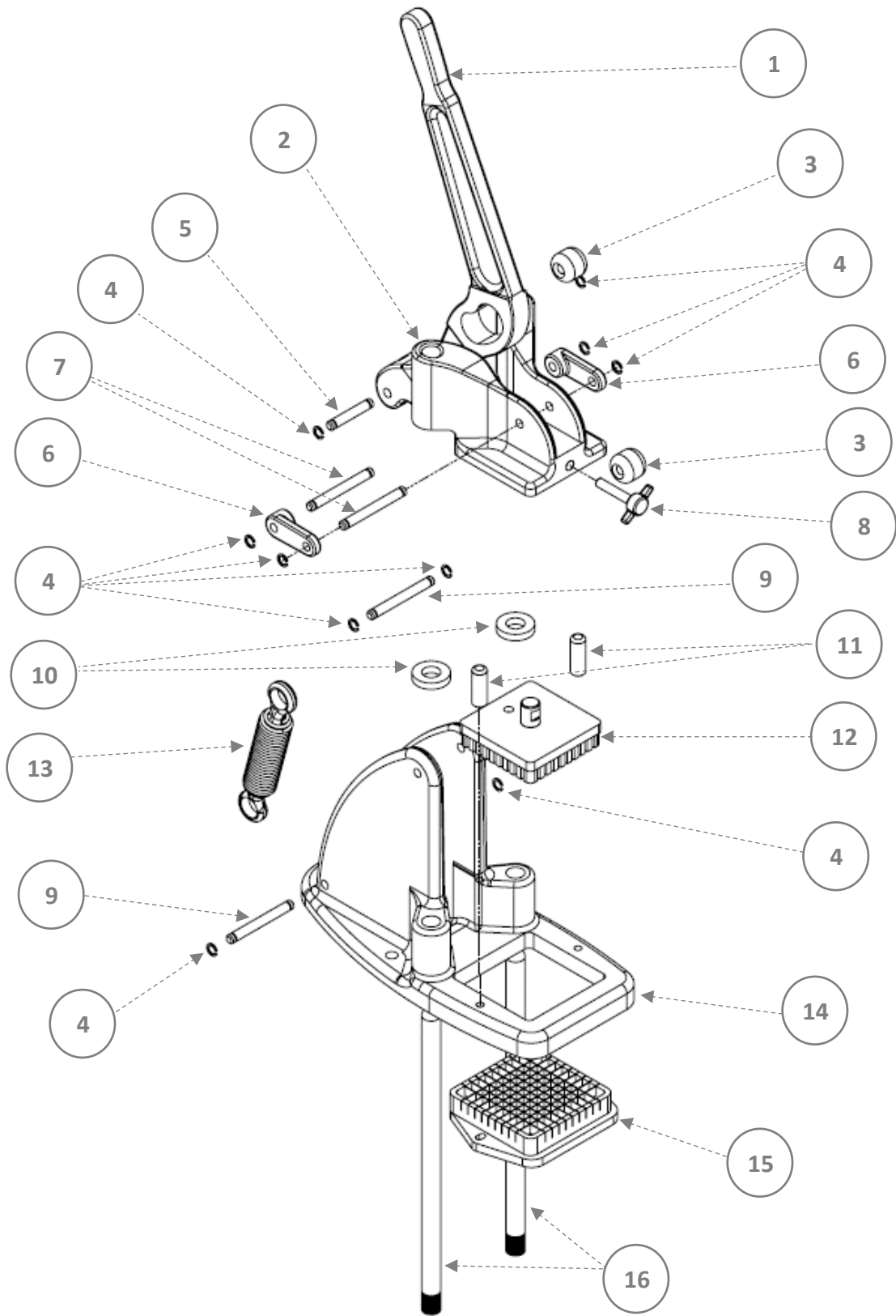


Metcalfe HPC
Hand Operated Potato Chipping Machine

Breakdown Drawing & Parts List



Exploded View of Key Components



Parts List

Item	Part Number	Quantity	Description
1	9HC32	1	Handle with sleeve (HT01C & HS08)
2	HC03C	1	Chipper Head
3	HR02	2	Roller
4	HC01	10	Circlip
5	HP02	1	Short Pin, 5cm (Handle)
6	HT01C	2	Toggle
7	HP03	2	Medium Pin, 7.5cm (Toggle)
8	9HC18	1	Red 'T' Knob with screw (HK01 & HS07)
9	HP01	2	Long Pin, 8cm (Base)
10	HB04	2	Buffer
11	HF02/M	2	Knob For Frame
12	HD05 HD06 HD07 HD10 HD04	1	Detachable Block (8mm) Detachable Block (10mm) Detachable Block (12.5mm) Detachable Block (14mm) Detachable Block (Wedge)
13	HS02	1	Spring
14	HB01C	1	Chipper Base
15	9HC25 9HC26 9HC27 9HC30 9HC19	1	Frame & Knives (8mm) Frame & Knives (10mm) Frame & Knives (12.5mm) Frame & Knives (14mm) Frame & Knives (Wedge)
16	HB03	2	Bar
12 & 15 (Set)	9HC21 9HC22 9HC23 9HC31 9HC17	1	Block, Frame & Knives (8mm) Block, Frame & Knives (10mm) Block, Frame & Knives (12.5mm) Block, Frame & Knives (14mm) Block, Frame & Knives (Wedge)

Metcalfe Catering Equipment Ltd

Haygarth Park
Blaenau Ffestiniog
Gwynedd, LL41 3PF



t 01766 830 456

e sales@metcalfecatering.com

w www.metcalfecatering.com